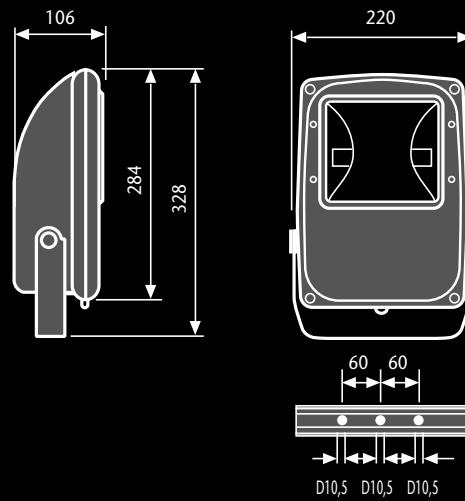


# MACH 2





## Light as emotion

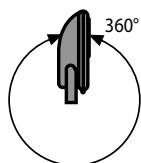
The **MACH 2** floodlight stands out for its versatile, cutting edge structure. It is addressed to a whole range of uses, especially for indoor applications, thanks to its

exceptional design, size and compactness. The floodlight is suitable for metal halide lamps RX7s lampholder, of 70W.



# Technical features of Mach 2

## Aiming



## Description

### CHARACTERISTICS

- Body in die cast aluminium.
- Coated with polyester powders in silver colour.
- Reflector in high pure aluminium, polished and oxidized.
- Tempered front glass, sealed to the cover.
- Maximum surface wind resistance: 0,056 m<sup>2</sup>.
- Gaskets in anti-aging silicon rubber.
- Bracket made of galvanized painted steel with index for vertical orientation.
- The control gear plate is made out of galvanized steel sheet.
- All electrical components are certified with ENEC mark (230V, 50 Hz). The projector has been manufactured according to EN 60598/1 standards.

### OPTICAL SYSTEM

- The **symmetrical** version can accommodate wide beam reflector.
- The **asymmetrical** optics improve considerably the projector's performance and in the same way reduce the glare. The projector is supplied with wide beam reflectors.

### LAMPS



MD (JM-TS) 70W RX7s

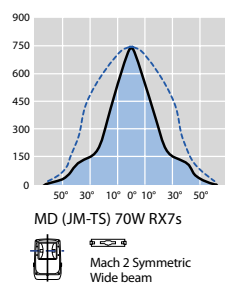
### COLOURS



Silver



## Photometric data



Symmetric

## Product codes

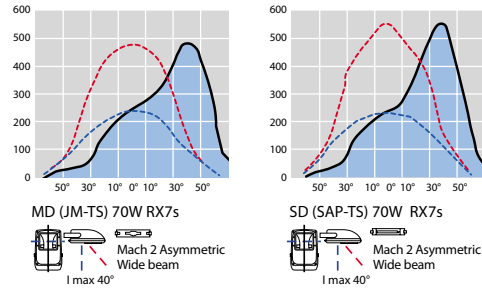
### MACH 2 SYMMETRIC - CL I

CODE	DESCRIPTION	LAMP TYPE	WEIGHT (KG)	PACKING (PCS)	PALLET (PCS)	VOLUME
50924	MAX Silver Body - Wide beam - RX7s	MD (JM-TS) 70W 3000K	4.10	1	140	0.0114
52501	MAX Silver Body - Wide beam - RX7s	MD (JM-TS) 70W 4200K	4.10	1	140	0.0114

## Photometric data



Asymmetric



## Product codes

### MACH 2 ASYMMETRIC - CL I

CODE	DESCRIPTION	LAMP TYPE	WEIGHT (KG)	PACKING (PCS)	PALLET (PCS)	VOLUME
<b>50954</b>	<b>ZAR</b> Silver Body - Wide beam - RX7s	MD (JM-TS) 70W 3000K	4.10	1	140	0.0114
<b>52504</b>	<b>ZAR</b> Silver Body - Wide beam - RX7s	MD (JM-TS) 70W 4200K	4.10	1	140	0.0114



## Accessories and spare parts



**60101**  
Bracket. Ideal for lighting shopwindows.  
Galvanized steel and coated.



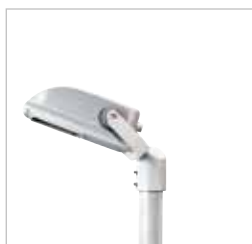
**60222**  
Stainless louvre for asymmetric.



**60226**  
Stainless louvre for symmetric.



**60261**  
Wall support, complete of floodlight fixing bracket.



**60280**  
Pole support for 1 floodlight  
Ø pole 60 mm.



**60281**  
Pole support for 2 floodlights  
Ø pole 60 mm.



**60282**  
Pole support for 3 floodlights  
Ø pole 60 mm.

### MACH 2

CODE	DESCRIPTION	WEIGHT (KG)	COLOUR	PACKING (PCS)	VOLUME
<b>60101</b>	Bracket 600 mm.	2.70	Silver	1	
<b>60222</b>	Anti-glare louvre for symmetric	0.24	Silver	1	0.0013
<b>60226</b>	Anti-glare louvre for asymmetric	0.24	Silver	1	0.0016
<b>08107</b>	Glass	0.25			
<b>09095</b>	Ceramic discharge tube lamp RX7s MD 70W 3000K				
<b>09097</b>	Ceramic discharge tube lamp RX7s MD 70W 4200K				
<b>WALL SUPPORTS</b>					
<b>60261</b>	Complete of floodlight fixing bracket	0.88	Silver		
<b>POLE SUPPORTS</b>					
<b>60280</b>	For 1 floodlight Ø pole 60 mm.	0.45	Silver		
<b>60281</b>	For 2 floodlights Ø pole 60 mm.	2.20	Silver		
<b>60282</b>	For 3 floodlights Ø pole 60 mm.	2.65	Silver		