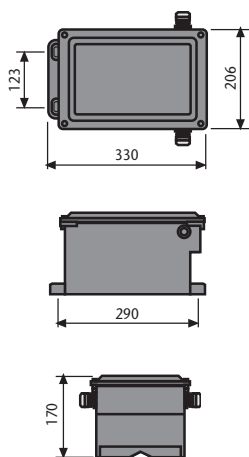


Technical features of Cablo Service

Dimensions



Description

WATERPROOF REMOTE CONTROL GEAR BOX INSULATION CLASS I

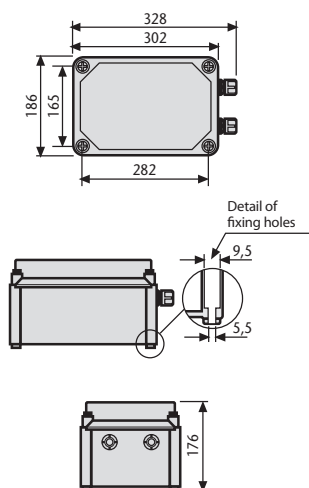
- For lamp up to 2000W.
- Die cast aluminium alloy body.
- Cover made by printed aluminium sheet.
- Extractable plate made by steel coated with passivated zinc, for clamp of the complete control gear only for 1000 W.
- Control gear box:
230V - 50Hz for 1000W lamps
400V - 50 Hz for 2000W lamps.
- Riphasing capacitor.
- Anti-ageing gasket in silicon rubber.
- Line entry hole with cable-joint PG 16 and clamp 6 mm².
- Output lamp hole cutted screw with cable-joint PG 16 and clamp 6 mm².
- Coated with polyester powders in black and silver colour.



IP 65



WATERPROOF REMOTE CONTROL GEAR BOX INSULATION CLASS II



- For 1000W and 2000W metal halide lamp.
- Body and cover in selfextinguish V0 thermoplastic material, silver colour.
- Power supply submerged in resin.
- Riphasing capacitor.
- Power supply:
230V 50Hz for 1000W lamps
400V 50Hz for 2000W lamps.
- Anti-ageing gasket in silicon rubber.
- Line entry hole with cable gland PG 13.5 and clamp 4 mm².
- Output lamp hole with cable gland PG 13.5 and clamp 6 mm².



IP 66



Accessories and spare parts

CODE	DESCRIPTION	WEIGHT (KG)	LAMP TYPE	VOLUME
60214	Clamps for CABLO SERVICE insulation CL I	0.40		0.0010
00878	Ignitor 4kV 230V 1000W	0.21	MT Osram and ST 1000W	
04644	Ignitor 1.2kV 230V for Philips lamp MT 1000W	0.08	MT 1000W Philips	
05146	Ignitor 1.2kV 400V for Philips lamp MT 2000W	0.10	MT 2000W Philips	
05145	Capacitor 60 µF 450V - plastic case	0.25		
05144	Capacitor 40 µF 450V - plastic case	0.25		
09568*	Capacitor 35 µF 280V for 1000W JM Philips - aluminium case	0.25		
09569*	Capacitor 50 µF 280V for 1000W - aluminium case	0.30		

* Two capacitors each lamp.

Products codes

CABLO SERVICE - INSULATION CL I

CODE	LAMP TYPE	COLOUR	WEIGHT (KG)	PACKING (PCS)	VOLUME
60306 ●	CR M (JM) 1000W Philips	Black	11.02	1	0.0151
60406 ●	CR M (JM) 1000W Philips	Silver	11.02	1	0.0151
60304 ▼	CR M (JM) 1000W Osram - S (SAP) 1000W	Black	14.50	1	0.0151
60404 ▼	CR M (JM) 1000W Osram - S (SAP) 1000W	Silver	14.50	1	0.0151
60309 ■	CR M (JM) 1000W Osram - S (SAP) 1000W	Black	14.90	1	0.0151
	9,3A MASTER MHN-LA 1000W 230V/842 Philips				
	9,3A MASTER MHN-LA 1000W 230V/956 Philips				
	8,9A MASTER MHN-FC 1000W 230V/740 Philips				
	9,6A HQI-TS 1000W/D/S Osram				
	9,7A HQI-TS 1000W/NDL/S Osram				
60409 ■	CR M (JM) 1000W Osram - S (SAP) 1000W	Silver	14.90	1	0.0151
	9,3A MASTER MHN-LA 1000W 230V/842 Philips				
	9,3A MASTER MHN-LA 1000W 230V/956 Philips				
	8,9A MASTER MHN-FC 1000W 230V/740 Philips				
	9,6A HQI-TS 1000W/D/S Osram				
	9,7A HQI-TS 1000W/NDL/S Osram				
60303 ◆	CR M (JM) 2000W	Silver	20.50	1	0.0151
	11,3A MASTER MHN-SA 2000W 400V/856 Philips				
	11,3A MASTER MHN-SA 2000W 400V/956 Philips				
	11,8A MASTER MHN-SA 2000W 400V/956 Philips				
	10,3A MASTER MHN-LA 2000W 400V/956 Philips				
	10,3A MASTER MHN-LA 2000W 400V/842 Philips				
	10,11A MASTER MHN-FC 2000W 400V/740 Philips				
	11,3A HQI-TS 2000W/D/S 400V Osram				
	10,4A HQI-TS 2000W/N/L 400V Osram				
	10,1A HQI-T 2000W/D/I 400V E40 Osram				
60323 ◆	CR M (JM) 2000W	Silver	20.20	1	0.0151
	8,9A - HQI - T 2000W/N 400V Osram (Ignitor included)				
	9,6A - HQI - T 2000W/N/E/SUPER Osram (Ignitor to be ordered separately cod. 07130 - 5kV)				
	8,6A - HPI - T 2000W 400V Philips (Ignitor to be ordered separately cod. 05146 - 1.2kV)				
60324 ▲	CR M (JM) 2000W Philips	Silver	20.50	1	0.0151
	8,6A - HPI - T 2000W 400V Philips				
60147*	Empty gear box for 1000W	Black	3.56	1	0.0151
60447*	Empty gear box for 1000W	Silver	3.56	1	0.0151

* Only for 1000W and for extra European countries

CABLO SERVICE - CLII

CODE	LAMP TYPE	WEIGHT (KG)	PACKING (PCS)	VOLUME
60395 ■	CR M (JM) 1000W Tipo Osram - S (SAP) 1000W	13.00	1	0.0147
	9,3A MASTER MHN-LA 1000W 230V/842 Philips			
	9,3A MASTER MHN-LA 1000W 230V/956 Philips			
	8,9A MASTER MHN-FC 1000W 230V/740 Philips			
	9,6A HQI-TS 1000W/D/S Osram			
	9,7A HQI-TS 1000W/NDL/S Osram			
60382 ■	CR M (JM) 2000W	21.20	1	0.0147
	11,3A MASTER MHN-SA 2000W 400V/856 Philips			
	11,3A MASTER MHN-SA 2000W 400V/956 Philips			
	11,8A MASTER MHN-SB 2000W 400V/956 Philips			
	10,3A MASTER MHN-LA 2000W 400V/956 Philips			
	10,3A MASTER MHN-LA 2000W 400V/842 Philips			
	10,11A MASTER MHN-FC 2000W 400V/740 Philips			
	11,3A HQI-TS 2000W/D/S 400V Osram			
	10,4A HQI-TS 2000W/N/L 400V Osram			
	10,1A HQI-TS 2000W/D/I 400V E40 Osram			

● With impulse ignitor (1.2kV) - Max distance of floodlight m.35

▼ With super imposed ignitor max distance from floodlight m.1.5

■ Without ignitor - The fitting needs ignitor Cod. 00878 for MH 1000W - Osram and for all HPS 1000W-E40 lamps

▲ With pulse ignitor (1.2kV - 400V)

◆ Without ignitor